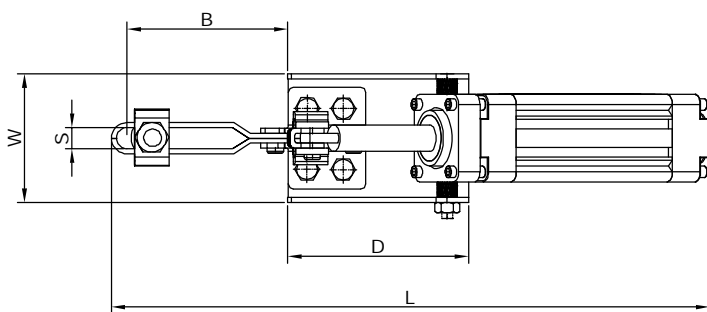
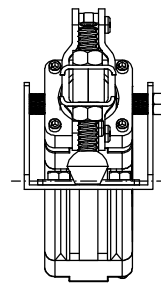
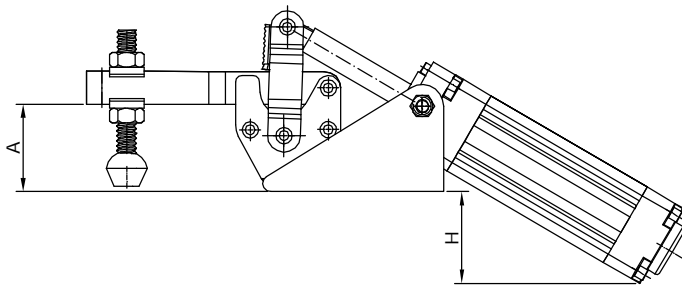
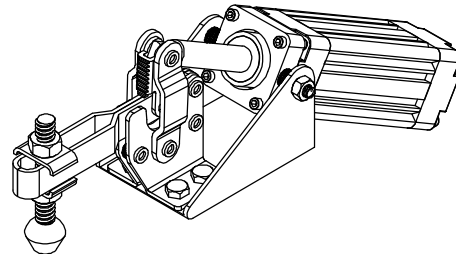


PNEUMATIC HOLD DOWN ACTION TOGGLE CLAMPS PN 101 SC SERIES



MODEL NO.	A	B	D	L	W	S	H	Holding Capacity Kgs.
PN 101 - SC	55	127	125	430	60	M12	65	600
PN 102 - SC	55	90	110	365	70	M12	55	400
PN 103 - SC	35	48	80	280	75	M8	40	250