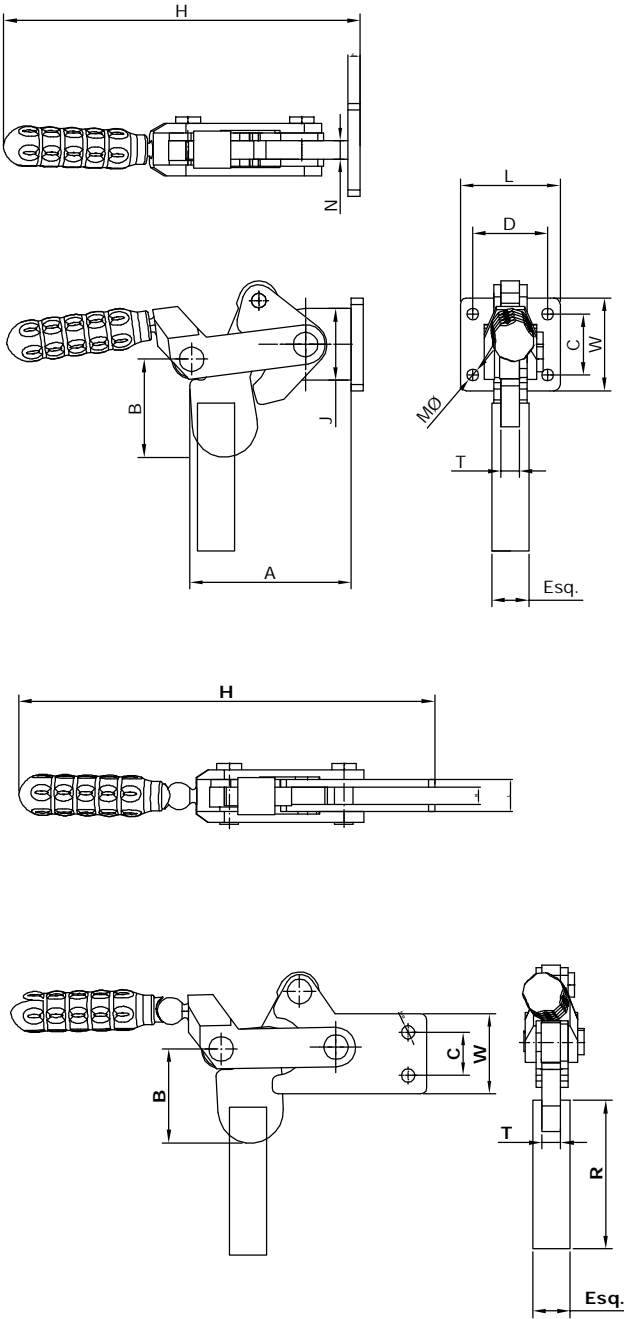


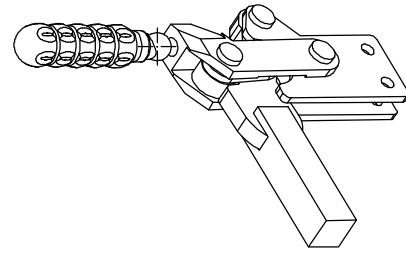
VERTICAL HANDLE HOLD DOWN ACTION TOGGLE CLAMPS HEAVY DUTY SERIES 511

These are Heavy duty weldable Toggle Clamps. The Holding bar and Handle can be welded at any desired angle & Position. All the pivot pins and bushing are hardend.



STRAIGHT BASE

SWIVEL BASE (SW)



MODEL NO.	A	B	C	D	MØ	L	W	T	H	Esq.	N	R	J	K	Holding Capacity kgs
511	169	72	35	--	10.5	27	66	15	230	30	15	125	--	--	1400
512	140	60	29	--	9.0	24	55	12	185	25	12	100	--	--	800
514	98	40	26	--	7	16	46	8	132	15	8	75	--	--	300
511SW	130	72	56	56	10.5	80	80	15	200	30	15	125	57	10	1400
512SW	110	60	40	40	9.0	63	63	12	165	25	12	100	36	9	800
514SW	76	40	29	29	7	45	45	8	115	15	8	75	25	8	300